

**Features:**

The OSM-3E-X-EN is 3\2\1-position digital panel meter enclosure. The 'Meter Set Enclosure' uses a fully modular design to allow for a wide range of digital panel meter types, colors, and input receiver types. The enclosure is a watertight NEMA 4/4x construction. The enclosure is used with the OSMLP-3E and OSMVP-3E series of panel meters.

- ✓ Enclosure with 3, 2 or 1 mounting cutouts for OSMLP/OSMVP-3E panel meters
- ✓ Enclosure UL listed to UL 508A, Type 1,2,4,4X,12 and 13 specifications File E352997
- ✓ Enclosure form factor 7.63 x 4.63 x 3.09 in
- ✓ Enclosure silicone rubber gasket make this ideal for outdoor use in a wide range of adverse conditions
- ✓ Enclosure designed to IP66
- ✓ Enclosure surface mounting Flanges
- ✓ Enclosure uses UV stabilized Polycarbonate
- ✓ Enclosure with blue faceplate

<b>Specifications:</b>			
Type	Parameter	Value	Units
<b>Enclosure Base Material</b>	<i>Type</i>	<b>Lexan* 945U Resin</b>	
	<i>Description</i>	<b>Polycarbonate</b>	
	<i>Color</i>	<b>Gray</b>	
<b>Enclosure Cover Material</b>	<i>Type</i>	<b>Lexan* 945AU Resin</b>	
	<i>Description</i>	<b>Polycarbonate</b>	
	<i>Color</i>	<b>Clear</b>	
<b>Face Plate Material</b>	<i>Description</i>	<b>Acrylic</b>	
	<i>Color</i>	<b>Blue/White</b>	
<b>Mounting</b>	<i>Surface Mount</i>	<b>YES</b>	
	<i>Screw Mount</i>	<b>YES</b>	
<b>Dimensions</b>	<i>Height</i>	<b>78.5(3.09)</b>	mm(inch)
	<i>Width</i>	<b>117.5(4.63)</b>	mm(inch)
	<i>Length</i>	<b>193(7.63)</b>	mm(inch)

<b>Ordering Information:</b>		
Part Number	Faceplate	Cutouts
OSM-3E-1-EN	Blue	1
OSM-3E-2-EN	Blue	2
OSM-3E-3-EN	Blue	3

Dimensions Enclosure:

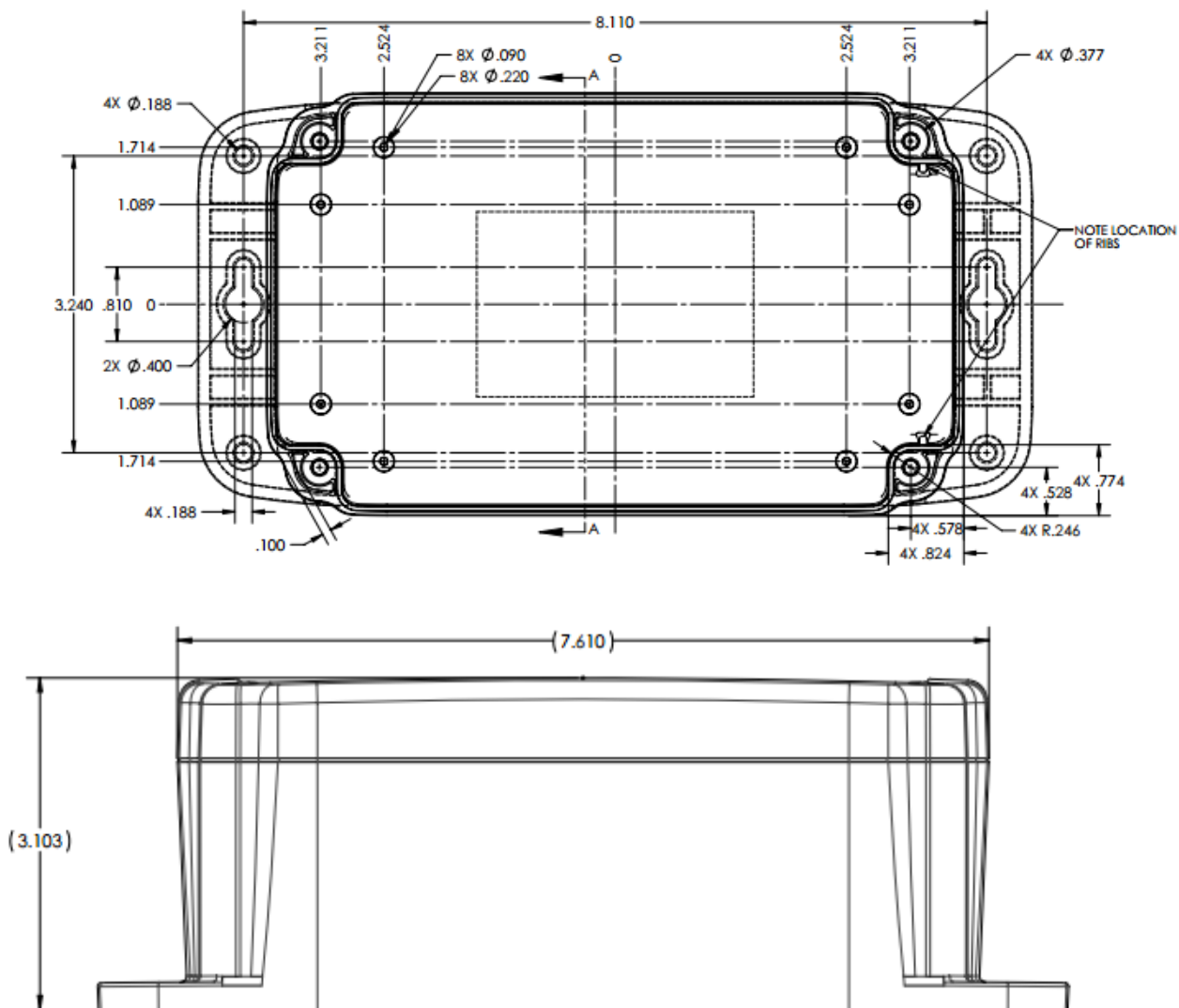
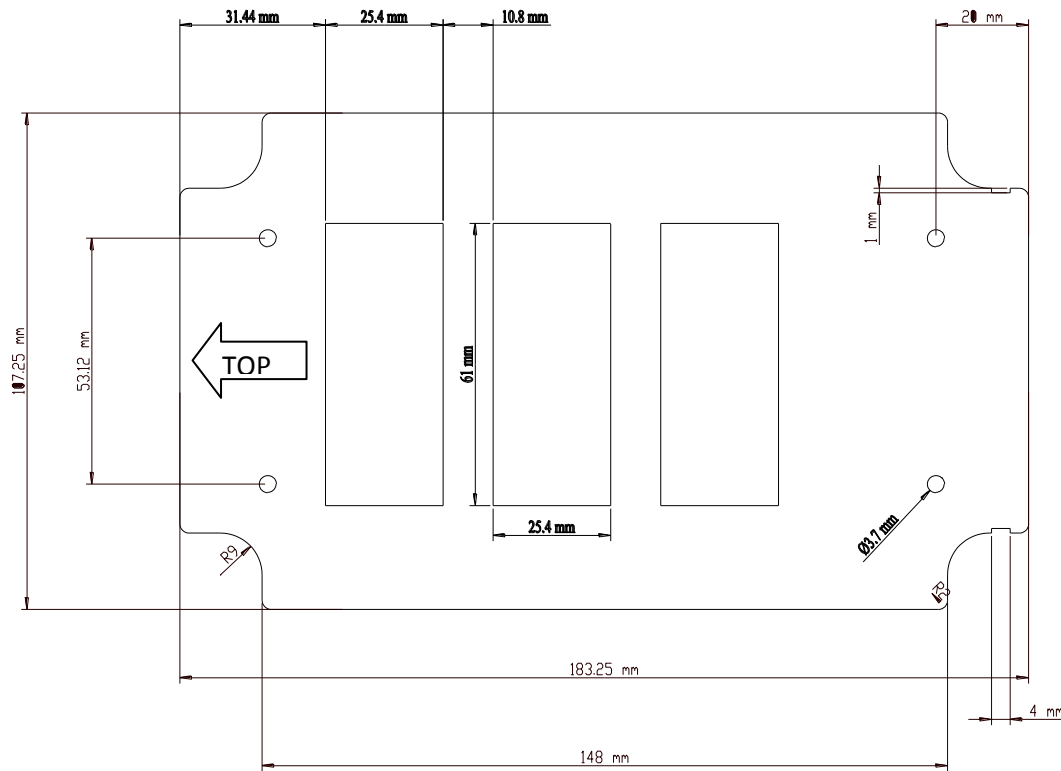
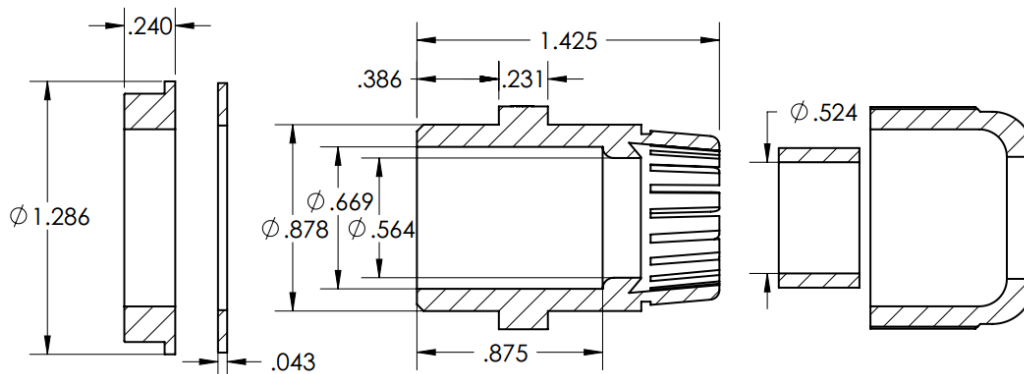


Figure 1 OSMLP-3E-3\2\1-EN Meter Set Enclosure Dimensions



**Figure 2 OSM-3E-X-EN Face Panel Dimensions**

\*OSMLP-3E-2-EN uses top two meter cutouts and OSMLP-3E-1-EN uses middle meter cutout



**Figure 3 OSM-3E-X-EN Cable Gland Dimensions**

- Required to maintain NEMA 4X rating where cables enter or exit a NEMA 1, 2, 4, 4X, 12 or 13 type enclosure
- Assembly consists of black molded nylon body, hex nut, cable nut, a rubber gasket and cable seals
- Approximate cable range diameter: 0.394" - 0.512"
- Nylon with a -40C to 100C suggested service temperature
- Flame rating: UL94V-2