

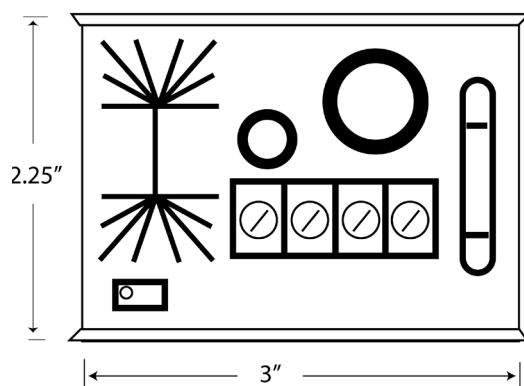
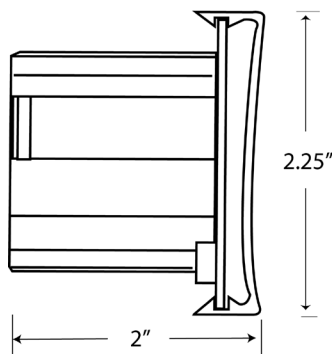
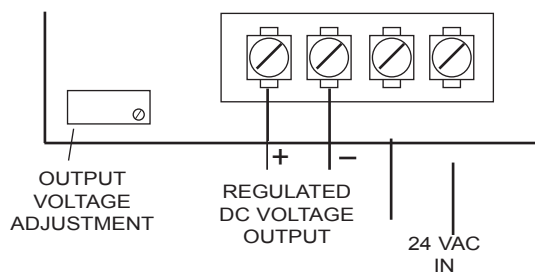
Features:

The PW 1.0 is a regulated 0.5 amp power supply that accepts 24 VAC at the input and provides 24 VDC at the output. Field voltage adjustments may be made using only a screwdriver. The power supply is provided with a mounting track for easy field application.

These low cost power supplies feature good regulation and have full overcurrent protection.

- ◇ Low Cost
- ◇ Regulated DC output
- ◇ Snap-track mounted
- ◇ Screw terminals with pressure plates

Wiring & Dimensions:



Specifications:

Voltage:	Input :	24 VAC, 50/60 Hz
	Output:	24 VDC (full wave rectified and regulated) adjustable 1.5 V - 29 VDC
Output Current:		0.5 amps
Over-current Protection:		1 amp fuse
Environment:	Operating Temperature:	0 to 55°C (32 to 130°F)
	Max. Humidity:	95% RH, noncondensing
Weight:		0.25 lb.
Mounting:		snap-track included

Ordering Information:

PART NUMBER
OSMW1.0